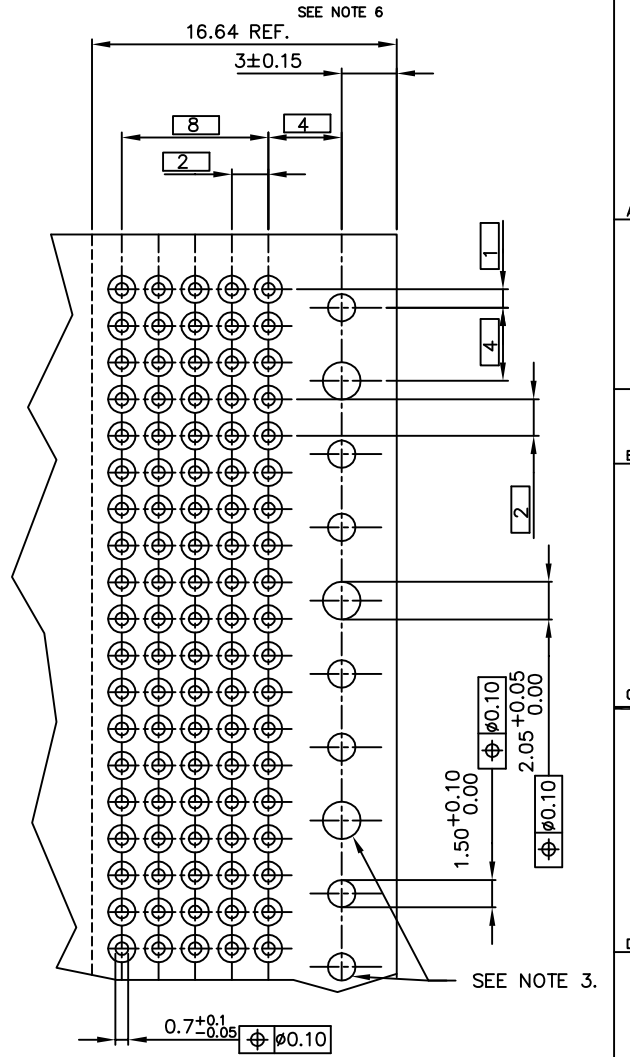
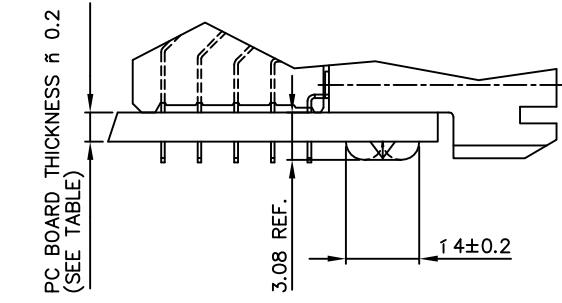
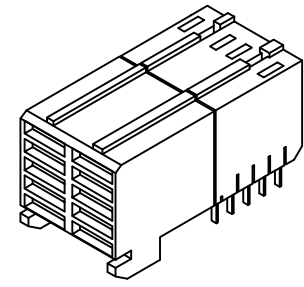
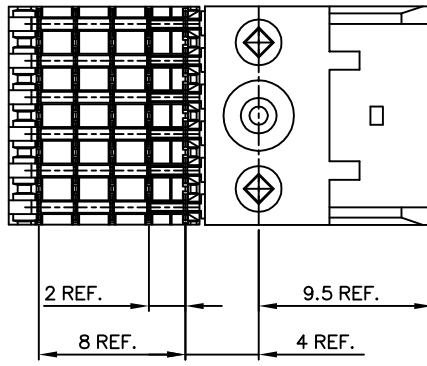
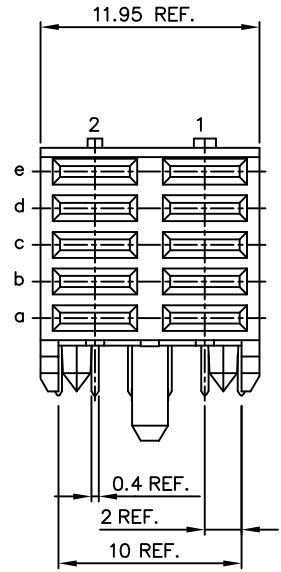
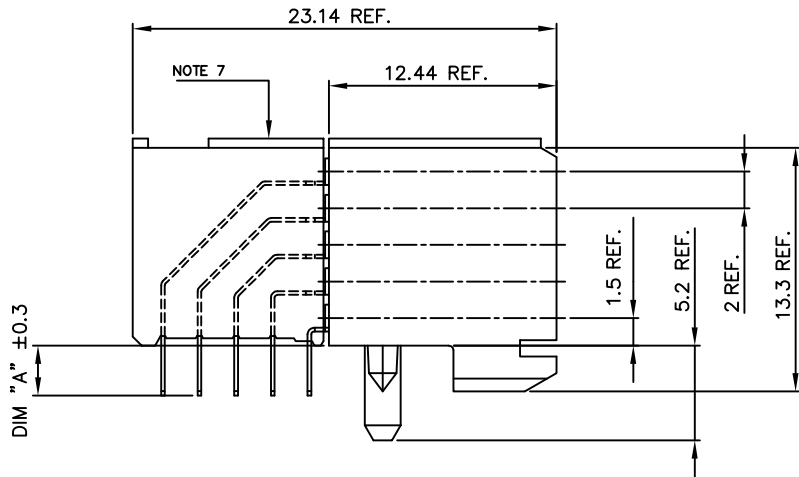


| PLATING CONTACT AREA: | |
|-----------------------|-------------------|
| DASH NR: | PERFORMANCE LEVEL |
| -1YY | TELCORDIA CO |
| -2YY | CUSTOMER SPECIAL |
| -3YY | CUSTOMER SPECIAL |
| -9YY | TELCORDIA CO |
| -1YYL | TELCORDIA CO |
| -2YYL | CUSTOMER SPECIAL |
| -3YYL | CUSTOMER SPECIAL |
| -9YYL | TELCORDIA CO |

| PC BOARD VERSIONS | | |
|-------------------|---------------|---------|
| PRODUCT NR: | PCB THICKNESS | DIM "A" |
| 85810-X02 | 1.6 | 2.90 |
| 85810-X12 | 2.4 | 3.53 |



RECOMMENDED HOLE PATTERN, COMPONENT SIDE.

- NOTES:
- BODY MAT'L: LIQUID CRYSTAL POLYMER 30% GLASS FLAME RETARDANT ACC. UL 94-V0
 - TERMINAL MATERIAL: PHOSPHOR BRONZE.
 - INDICATED HOLES ARE UNPLATED.
 - PLATING OF COMPLIANT SECTIONS 0.5-1.5 µm SnPb 85-97
 - PRODUCT MARKING: PART NUMBER & BATCH ID.
 - SET BACK FOR PRESS BLOCK
 - TOP SURFACE OF PRESS BLOCK MAY EXTEND UP TO 0.4MM HIGHER THAN HOUSING. THIS MAY AFFECT THE TAIL LENGTH BEFORE APPLICATION TO A BOARD.

| mat'l. code | | tolerances unless otherwise specified | | CUSTOMER COPY | | FC ELECTRONICS | |
|-------------|-----------|---------------------------------------|-------------|---------------|-------------|-------------------------|--------------------|
| ltr | ecn no | dr | date | linear | projection | title | www.telconnect.com |
| A | H40101 | VWO | 940209 | | 1st angle | 5 ROW POWER S.T.B. | |
| B | H40487 | DDB | 940729 | | | RECEPTACLE 12 mm MODULE | |
| C | V00578 | LLA | 000318 | angles | | product family | METRAL (tm) |
| D | V00850 | GNY | 000512 | dr | H v Woensel | 940207 | code |
| E | D607-0458 | Cent | 11/15/07 | eng | H v Woensel | 940207 | size |
| | | chr | E Feijen | 940207 | scale | 5:1 | dwg no |
| | | app | H v Woensel | 940207 | | | no |
| sheet | revision | E | | | | | 213 |
| index | sheet | 1 | | | | | 1 of 1 |